

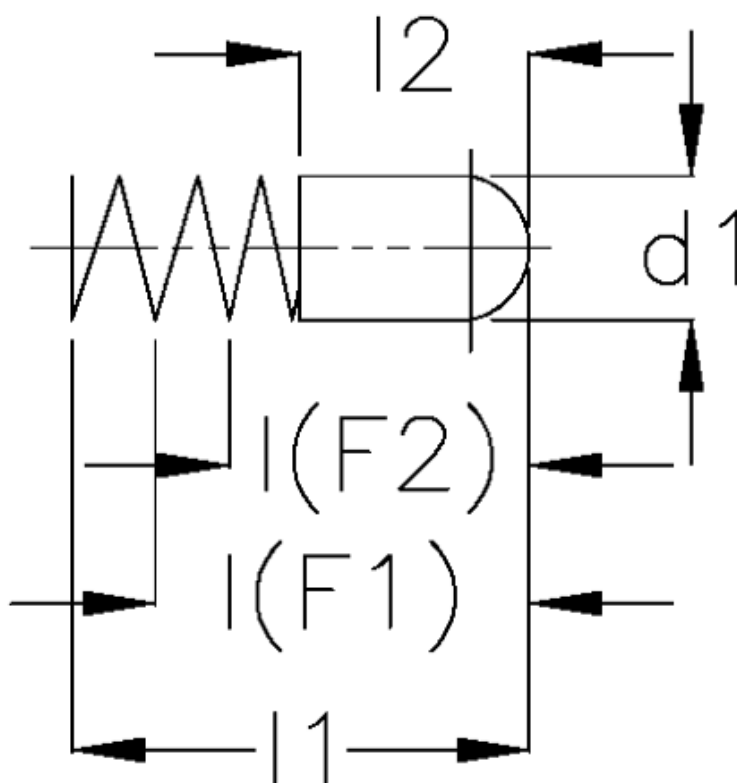
Data Sheet



Article number: 20028399

Description: E+G
Spring plunger GN 610-3-16-H

Measures



d1	= 3.0
l(F1)	= 13.0
l(F2)	= 10.7
l1	= 16
l2	= 8.5
Spring pressure (F1) N	= 4.8
Spring pressure (F2) N	= 8.4